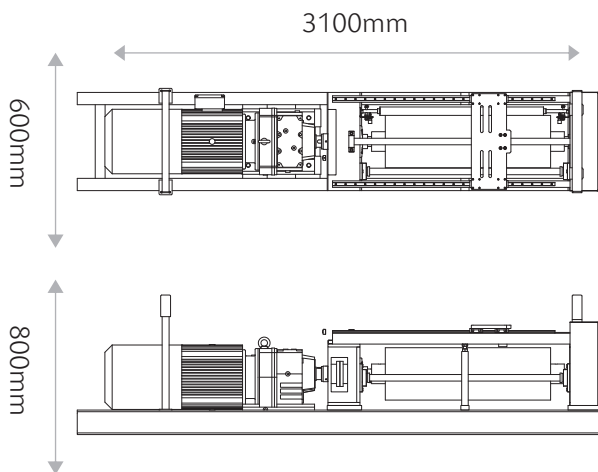
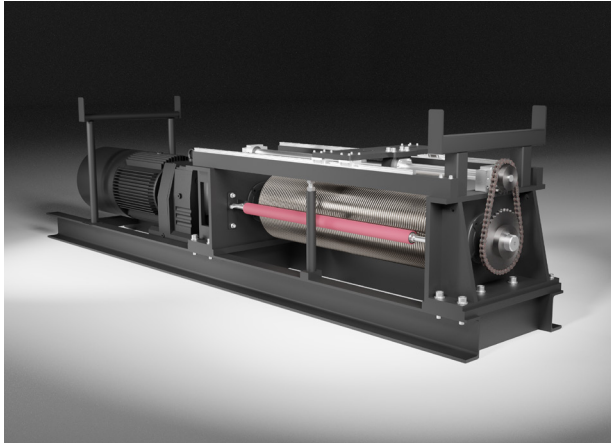




# + Newton JAF 22kw Slow

The Newton JAF is a medium sized winch that provides a longer length of travel. It is able to move loads of up to 1,500kg and will operate at speeds of up to 4 m/s. The Newton JAF has a large drum offering travel of up to 90m.



|                    |                  |
|--------------------|------------------|
| <b>Winch Model</b> | JAF              |
| <b>Variants</b>    |                  |
| Servo              |                  |
| Asynchronous       | •                |
| <b>Physical</b>    |                  |
| Height             | 800mm            |
| Width              | 600mm            |
| Depth              | 3100mm           |
| Weight             | 1100kg           |
| Wire Size          | 6mm   8mm   13mm |
| <b>Performance</b> |                  |
| Maximum Payload    | 1100kg           |
| Maximum Load Speed | 2m/s             |
| Maximum Travel     | 90m              |
| <b>Brakes</b>      |                  |
| Primary Brake      | •                |
| Secondary Brake    | •                |
| <b>Feedback</b>    |                  |
| Primary Encoder    | •                |
| Secondary Encoder  | •                |