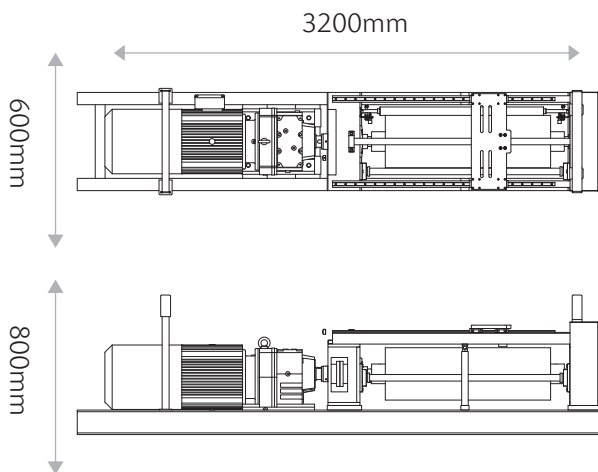
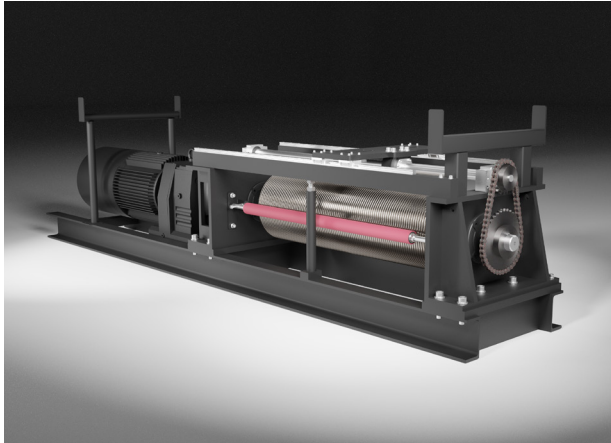




+ Newton JAF 30kw Slow

The Newton JAF is a medium sized winch that provides a longer length of travel. It is able to move loads of up to 1,500kg and will operate at speeds of up to 4 m/s. The Newton JAF has a large drum offering travel of up to 90m.



Winch Model	JAF
-------------	-----

Variants

Servo	
Asynchronous	•

Physical

Height	800mm
Width	600mm
Depth	3200mm
Weight	1150kg
Wire Size	6mm 8mm 13mm

Performance

Maximum Payload	1500kg
Maximum Load Speed	2m/s
Maximum Travel	90m

Brakes

Primary Brake	•
Secondary Brake	•

Feedback

Primary Encoder	•
Secondary Encoder	•