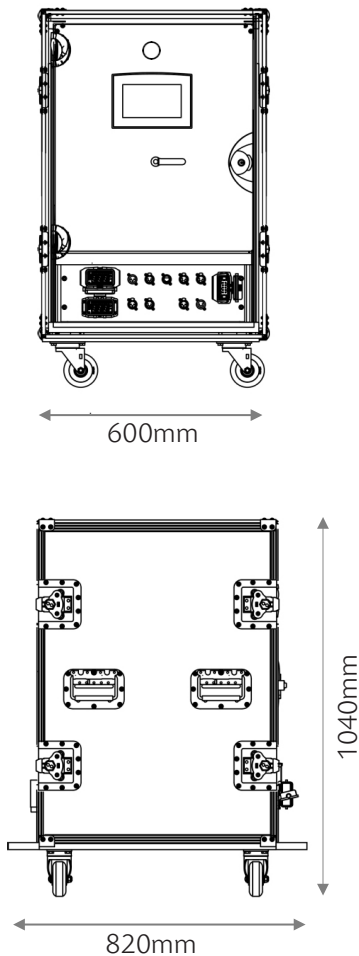




# + Kepler Drive 7.5kW

For movement and flying of scenic pieces and performers. Features dual brakes and double encoder capabilities. Connection via the QNetwork Global Extension cable saves installation time and is easily expandable for added axes.



<b>Drive Model</b>	Kepler7.5S/Kepler7.5A
--------------------	-----------------------

<b>Variants</b>	
-----------------	--

Servo	•
Asynchronous	•

<b>Physical</b>	
-----------------	--

Height	1400mm
Width	600mm
Depth	820mm
Weight	135kg

<b>Electrical Input</b>	
-------------------------	--

Supply Voltage	380-415VAC 3ph+N+E, 50-60Hz
Supply Current (@400V)	32A

<b>Electrical Output</b>	
--------------------------	--

Motor Voltage	415VAC 3ph+E, 50-60Hz
Rated Current (@400V)	16A
Auxiliary Output	230V, 16A

<b>Brakes</b>	
---------------	--

Primary Brake	230V
Secondary Brake	230V

<b>Encoder Input</b>	
----------------------	--

Primary	Hyperface, Resolver
Secondary	Incremental, 1024CPR

<b>Connections</b>	
--------------------	--

Local Network	Global QNetwork Cable
Winch Motor/Brake	Modular, QMotion Spec
Winch Feedback	Modular, QMotion Spec
Other	Manual Pendant, Loadcell, CAN Sync, Local Deadman

<b>Motion Controller Variants</b>	
-----------------------------------	--

QPOS	•
EtherCAT	•