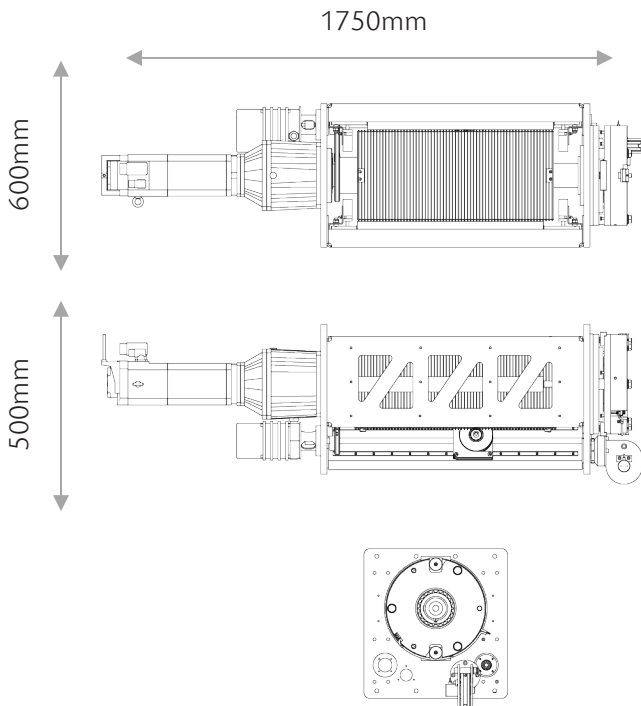
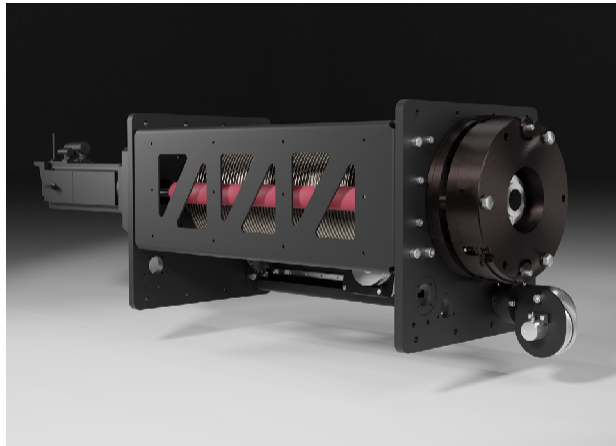




# + Newton Singapore

Designed specifically for the 2015 Singapore South East Asian Games, these hoists were carriage mounted and could travel around a flown track system. The payload makes them ideal for aerial performer flying or carrying scenic items. The hoists are now used as a static unit. They are zero fleet with cross groove detection.



<b>Winch Model</b>	Singapore
<b>Variants</b>	
Servo	•
Asynchronous	
<b>Physical</b>	
Height	600mm
Width	1750mm
Depth	500mm
Self-Weight	320kg
Wire size	8mm
Zero Fleet	YES
<b>Performance</b>	
Maximum Payload	420kg
Maximum Load Speed	3m/s
Maximum Travel	60m
<b>Electrical Input</b>	
Supply Voltage	415VAC 3ph+N+E
Supply Current	53A
Recommended Drive	Kepler 30S
<b>Brakes</b>	
Primary Brake	230V
Secondary Brake	230V
<b>Feedback</b>	
Primary Encoder	Resolver
Secondary Encoder	Incremental, 1024CPR
Limits	Fwd, Rev, Cross Groove, Ultimate Fwd/Rev