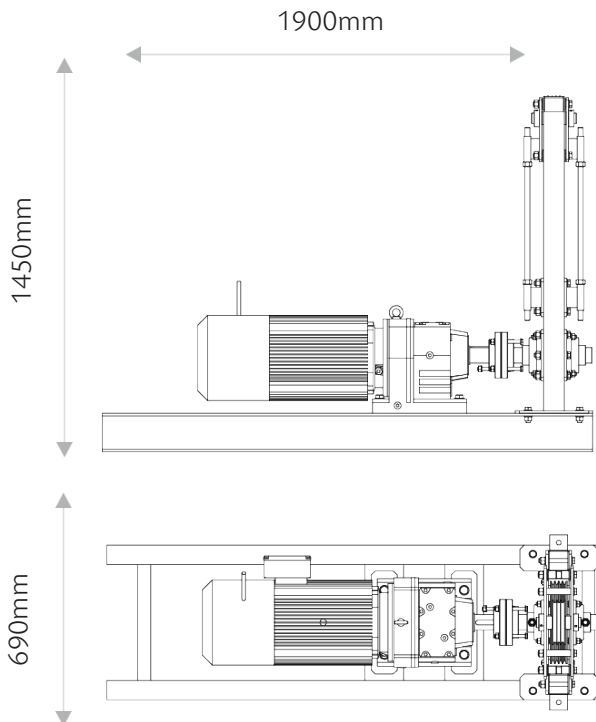
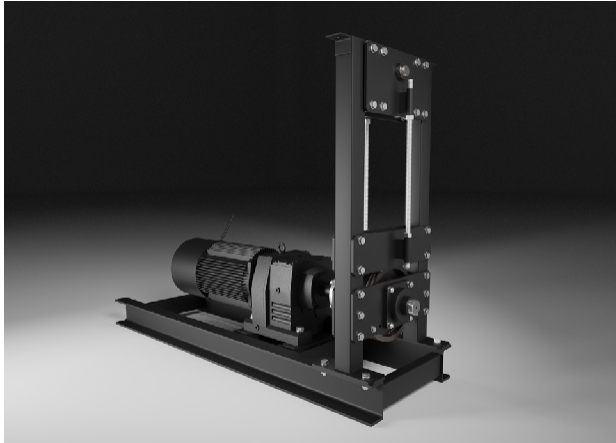




+

Newton Traverse 22kw

This is our 22-kW friction drive hoist and has the ability to have a variable wire length. The tension in the wire is achieved by adjusting the distance between the friction sheaves on the body of the sheave frame.



Winch Model	Traverse
--------------------	----------

Variants

Servo	
Asynchronous	•

Physical

Height	1450mm
Width	690mm
Depth	1900mm
Self-Weight	500kg
Wire size	6mm 8mm
Zero Fleet	

Performance

Maximum Payload	400kg
Maximum Load Speed	0 - 4 m/s
Maximum Travel	Endless

Electrical Input

Supply Voltage	415VAC 3ph+N+E
Supply Current	53A
Recommended Drive	Kepler 30A

Brakes

Primary Brake	230V
Secondary Brake	230V

Feedback

Primary Encoder	Resolver
Secondary Encoder	Incremental, 1024CPR
Limits	Fwd, Rev, Ultimate Fwd/Rev